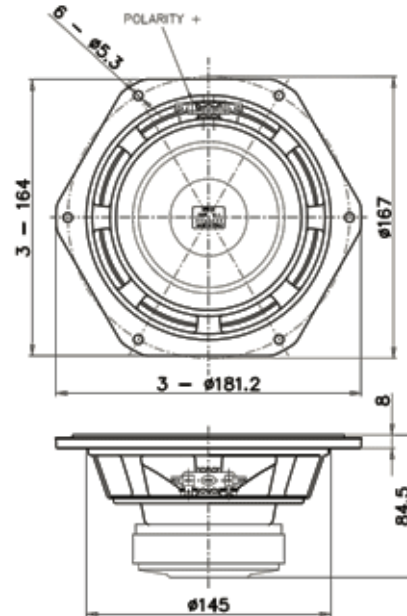




# 6FE100 Fe Series



## NOMINAL SPECIFICATIONS

Nominal Diameter	160 mm (6 in)
Overall Diameter	181.2/164 mm (7.13/6.46 in)
Bolt Circle Diameter	167 mm (6.57 in)
Baffle Cutout Diameter	145 mm (5.7 in)
Depth	84.5 mm (3.33 in)
Flange and Gasket Thickness	8 mm (0.31 in)
Net Weight	1.3 Kg (2.86 lb)
Shipping Box	393x380x128 mm
(Single Carton Box - 4 units)	(15.47x14.96x5.03 in)
Shipping Weight (4 units)	5.6 Kg (12.35 lb)

## ELECTRICAL SPECIFICATION

Minimum Impedance	5.9 Ohm
Nominal Impedance	8 Ohm
Nominal Power Handling *	100 W
Maximum Power Handling **	200 W
Sensitivity (1W/1m)	91 dB
Frequency Range	65-5000 Hz
Voice Coil Diameter	32 mm (1.26 in)
Winding Material	Cu
Former Material	Kapton
Winding Depth	12.5 mm (0.49 in)
Magnetic Gap Depth	6 mm (0.24 in)
Flux Density	1 T

## NOTES

Packaged and sold in multiples of 4 units

(\*) 2 Hours Test According to AES 2-1984 Rev. 2003

(\*\*) Maximum power is defined as 3dB greater than nominal power.

(\*\*\*)  $X_{max} = [(winding\ depth - magnetic\ gap\ depth) / 2] + (magnetic\ gap\ depth / 3)$

(\*\*\*\*) Maximum excursion before permanent damage

## THIELE & SMALL PARAMETERS

Fs	61 Hz
Re	5.4 Ohm
Bl	6.9 N/A
Mms	14.1 g
Cms	0.49 mm/N
Rms	1.13 Kg/s
Qes	0.61
Qms	4.58
Qts	0.54
Vas	12.94 dm <sup>3</sup> (0.45 ft <sup>3</sup> )
Sd	137 cm <sup>2</sup> (21.23 in <sup>2</sup> )
Xmax ***	5.25 mm
Xdamage ****	9.5 mm
Le	0.39 mH
Mmd	13.2 g
Eta Zero	0.46 %

## ORDERING CODES

Faston Terminals - 8 Ohm Version	01603942
----------------------------------	----------

# CURVES

---

